

## HEATER SPECIFICATIONS

<b>Burner Capacity</b>	750,000 BTU/Hr
<b>Airflow</b>	3,000 CFM
<b>Firing</b>	Indirect Fired, Forced Draft, Lo-Hi-Lo
<b>Fuel</b>	#1 & #2 Diesel Fuel
<b>Fuel Tank</b>	170 Gallons
<b>Power</b>	208 Vac / 3 Phase / 60 Hz
<b>Full Load</b>	15A @ 208 Vac / 3 Phase
<b>Engine</b>	12.5 kW Kubota Tier 4 Generator
<b>Air Discharge</b>	16" Diameter
<b>Discharge Temp.</b>	200°F @ 0°F Ambient
<b>Weight</b>	6,140 Lbs. (Dry)
<b>Dimensions</b>	168" L x 98"W x 101" H



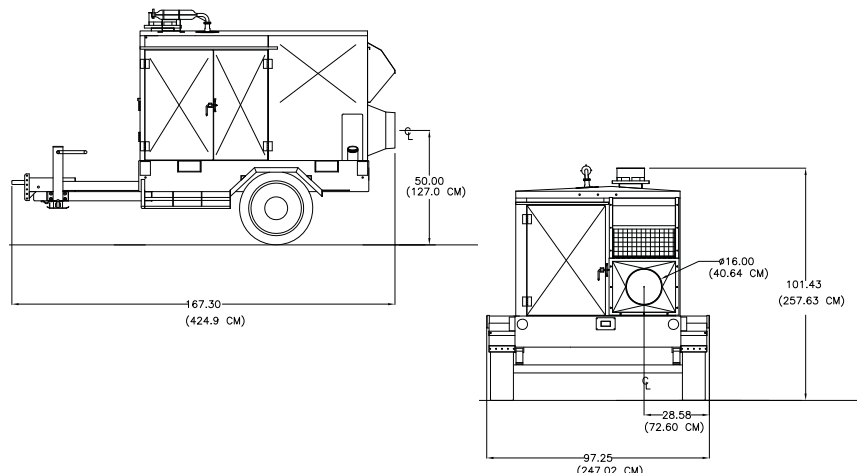
## STANDARD EQUIPMENT

- Heavy Duty Welded Construction
- Fire Tube made of 309 Stainless Steel
- Powerful Backward Inclined Blower
- Arctic Wiring good to -80 °F
- Indicator Lights for Main Heater Functions
- Flame Safety Oil Control with Pre-Purge
- Remote Thermostat with 50 Foot Cord
- High Temperature Shutdown
- External 120V - 20 amp GFCI Receptacle Outlet for Power Tools
- Certified to National Highway Traffic Safety Administration Requirements
- LED Running and Brake Lights
- 12V Electric Brakes
- 16" Load E 10-ply Tires
- Secondary Fuel Containment, 3 Position Fuel Light Indication, Lockable Gas Caps, Lockable Doors (on some units)
- Structural Forklift Pockets Integrated into the Heater Design and Lift Points Welded to each Corner of the Heater
- Meltric De-Contactor To Allow Disconnecting Heater From Generator to Run Heater Off an Auxiliary 208V 3 Phase Power Source

## OPTIONAL

- Work Lights Package
- Duct Rack
- E-Stop Emergency Shutoff Button
- Fire Extinguisher
- Hydraulic Brakes
- 2 5/16" Diameter Ball Hitch
- GPS Capability
- Combustible Gas Detection with Automatic Shutdown
- Dual Fuel Tanks to Run Engine on Ultra-Low Sulfur Diesel and Burner on #1 Diesel Oil

**IDF-3 SCO**  
**750,000 BTU/HR**  
**3,000 CFM**  
**INDIRECT FIRED**  
**SELF CONTAINED**  
**TRAILER MOUNTED**



Specifications and dimensions are for reference only and are subject to change without notice.  
 Optional equipment may affect dimensions.

**Powerful, efficient, and incredibly reliable...**



**Typical uses for The TIOGA Air Heater**

### IDF Series Air Heaters are ideal for

- Oil Field
- Pipe Lines
- Construction
- Mining
- Coating & Painting
- Ground Support
- Emergency Heating
- Power Plants
- Refineries
- Bulk Handling Facilities
- Surface Preparation
- Food & Beverage
- Processing Facilities

### IDF Series Air Heaters offer

- 100% uncontaminated fresh air
- No combustion by-products in heated air
- No exposed flame
- CSA approved for US and Canada
- Recirculate pre-heated air
- Cleaner heat

### Benefits

- Low maintenance
- Portability
- Rugged Design
- Reliable operating components down to -40° F
- Increase air circulation
- Reduce moisture problems
- Prevent valuable materials and equipment from freezing
- Allows for easy relocation onsite to areas requiring heat and ventilation

### Additional Services Offered

- Heater recommendation
- 24/7 phone service support
- Estimated fuel consumption
- Duct work design

**Tioga designs, manufacturers and refurbishes rental units to like-new condition after every use.**

Always check local codes and ordinances for permitted uses.  
CSA ratings may vary, contact office for current CSA information

**Our heating specialists will assist you selecting the exact airflow and burner capacity required for your heating application.**

Minneapolis, MN  
(763) 525-4000  
Fax (763) 525-9796

Casper, WY  
(307) 237-3473  
Fax (307) 266-5016

Cleveland, OH  
(740) 756-7980  
Fax (740) 756-7981

**(800) 218-4642 • [www.TiogaAirHeaters.com](http://www.TiogaAirHeaters.com) • Email: [salesinfo@TiogaAirHeaters.com](mailto:salesinfo@TiogaAirHeaters.com)**